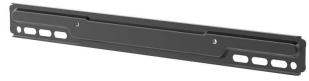


# VESA ADAPTOR INSTALLATION INSTRUCTION

## Parts List



a.(x4)

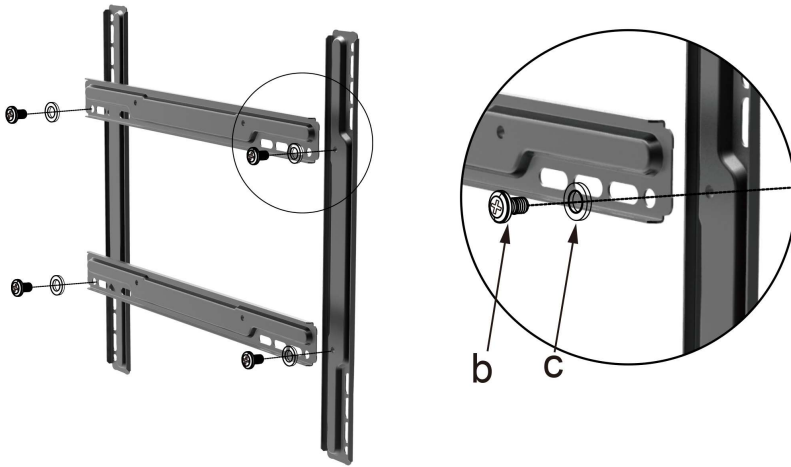


b.(x8)



c.(x8)

## STEP-1



## STEP-2

