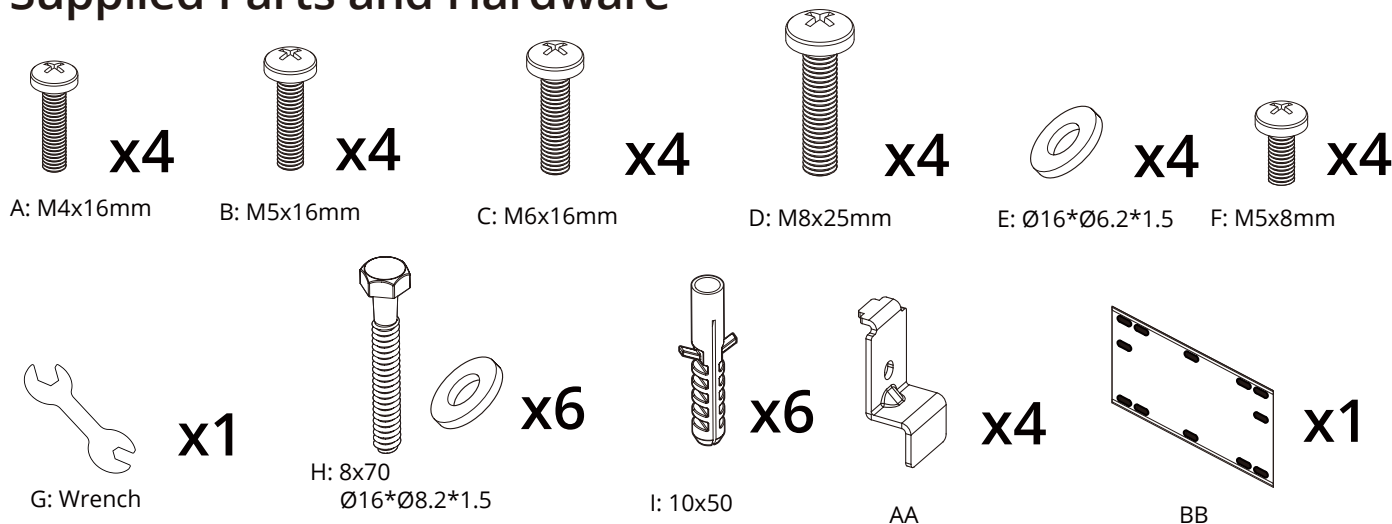


# Thank you for choosing DQ

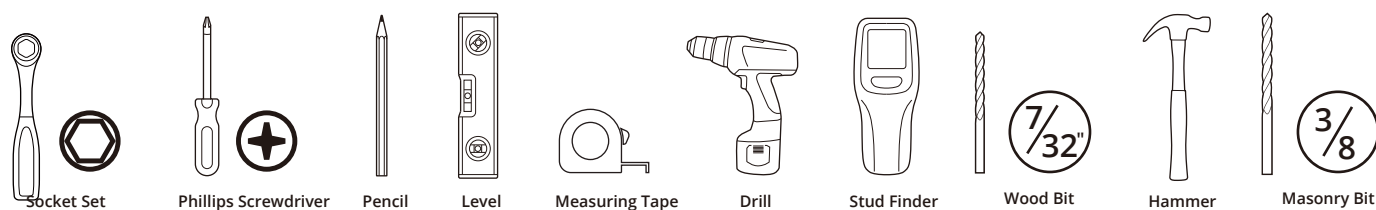
## CAUTION

The maximum loading weight is 110 lbs (50kg). This mount is intended for use only with the maximum weights indicated. Use with products heavier than the maximum weights indicated may result in instability causing possible injury. The wall you plan to affix the DQHER1 mount to must be also to support more than 5 times the weight of the television and the mount combined. Do not use this product for any purpose other than to mount a VESA compliant TV on a vertical surface as outlined in this manual. Improper installation may cause damage to your TV or serious injury. This product should not be mounted on steel stud walls or cinder block walls. Consult a qualified installation contractor if you are unsure about the type of wall you may have.

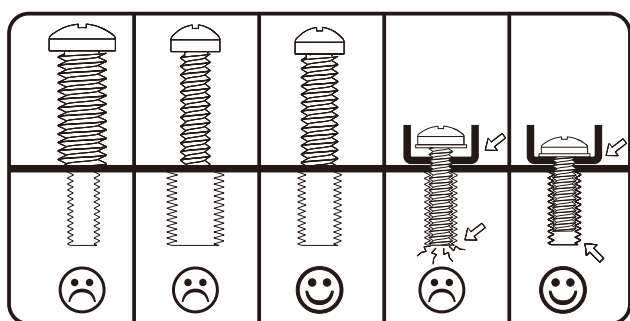
## Supplied Parts and Hardware



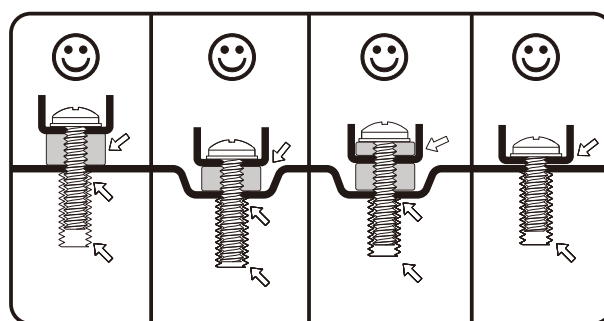
## Required Tools



## Select TV Screws and Spacers

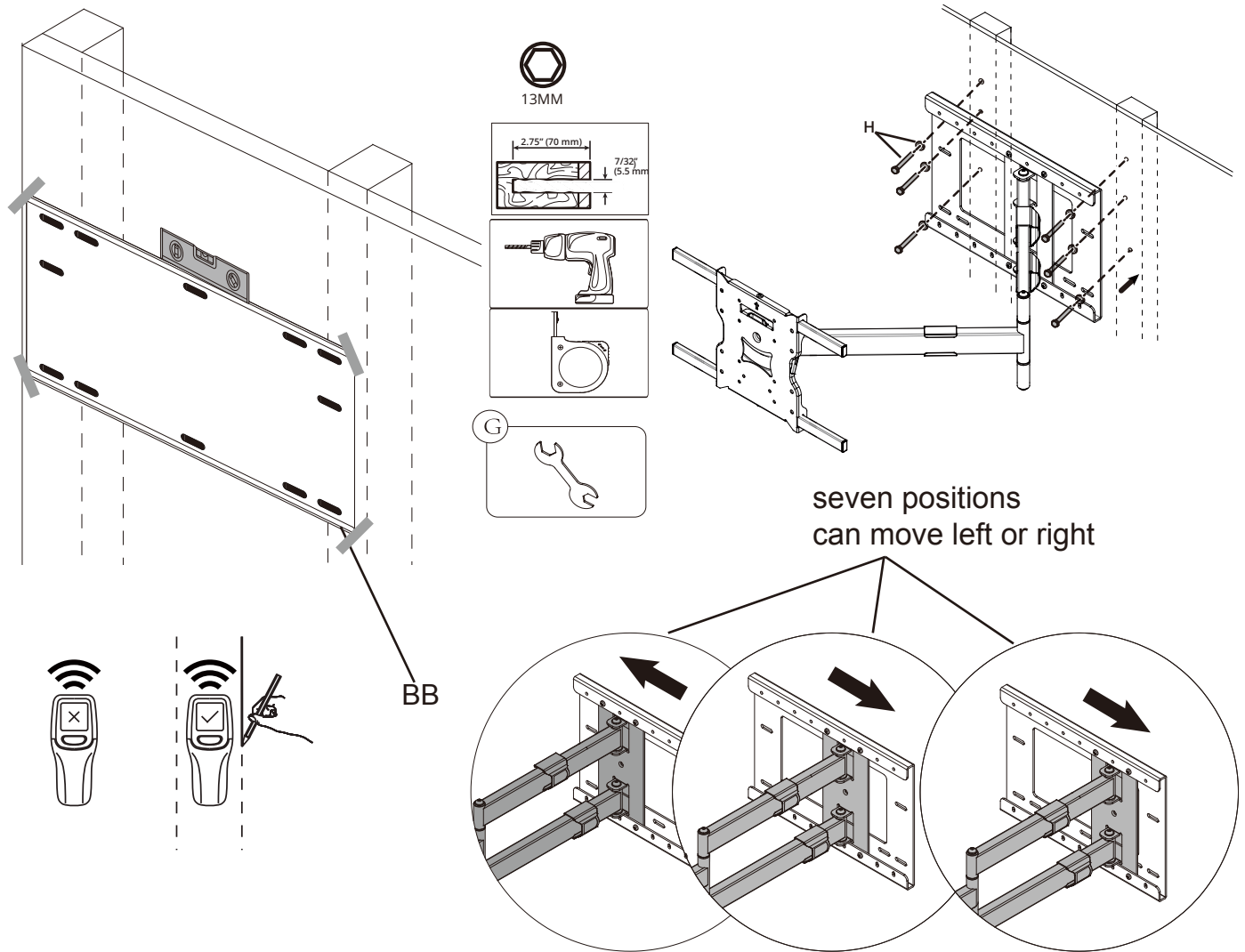


The back of your TV has 4 screw holes in a square or rectangular pattern. This is where the mount will attach to your TV. Kanto provides several sizes and lengths of screws. This guide will help you select the right screws for your TV. You will only use 4 of the provided screws to attach your TV - the rest are not needed.

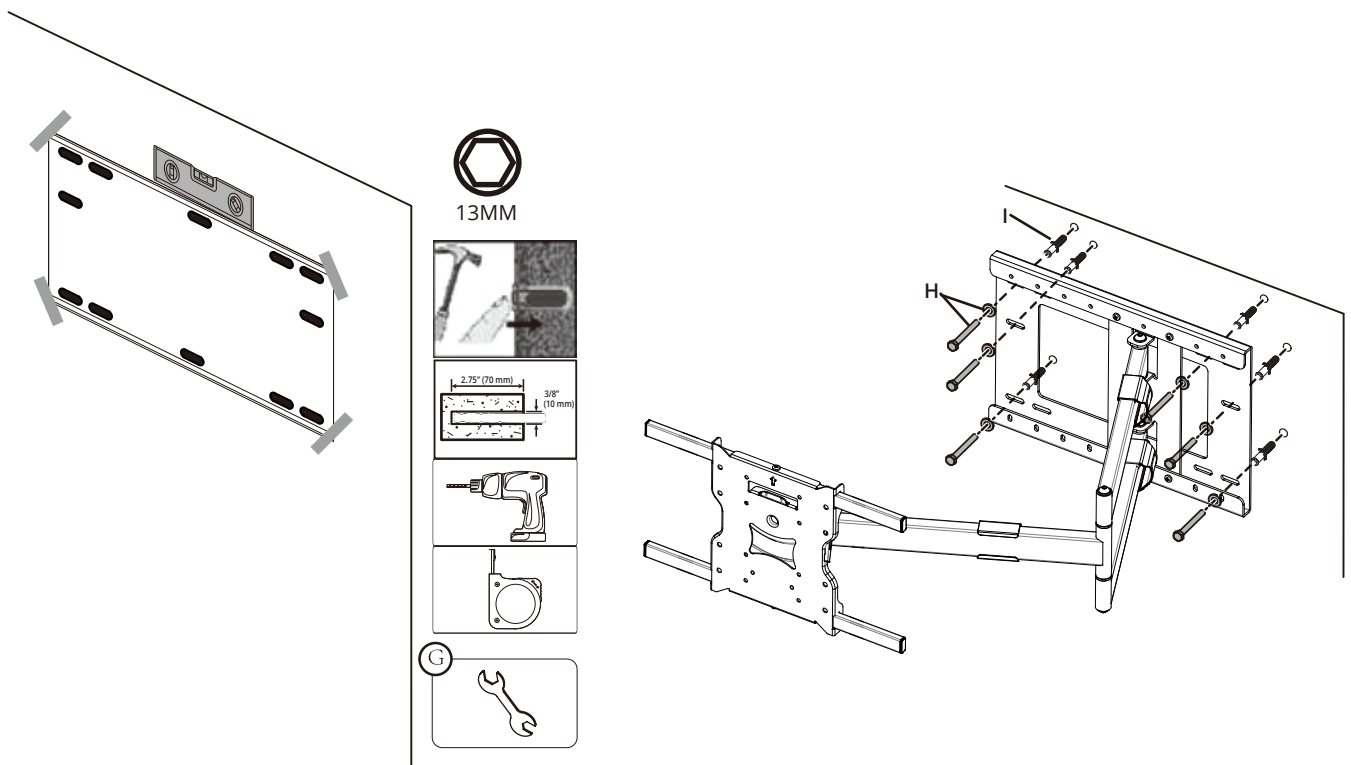


Plastic spacers are also provided in 2 thicknesses to allow the mount to work with curved TVs, and TVs that have recessed mount holes, protrusions, or inputs in the way. They can also be used to prevent the TV screws from going too deep and damaging your TV. You may not need spacers for your TV.

# Mount Wall Plate Assembly (Wood Stud Wall)

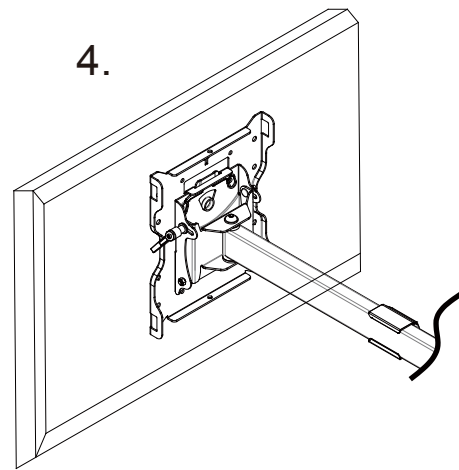
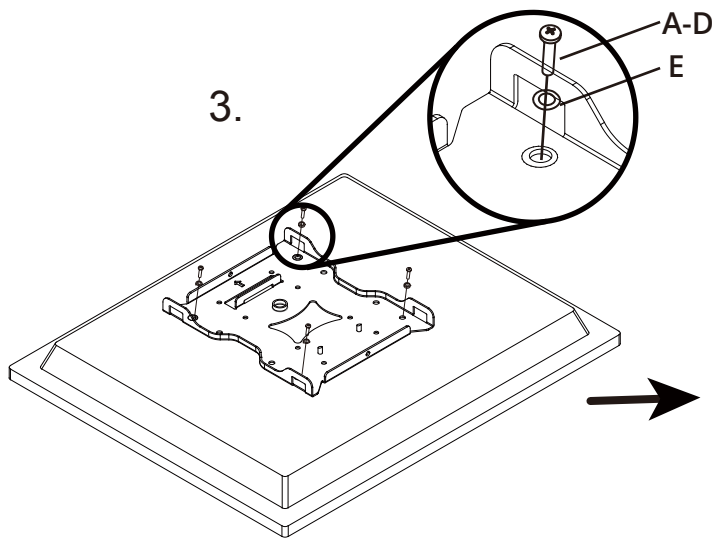
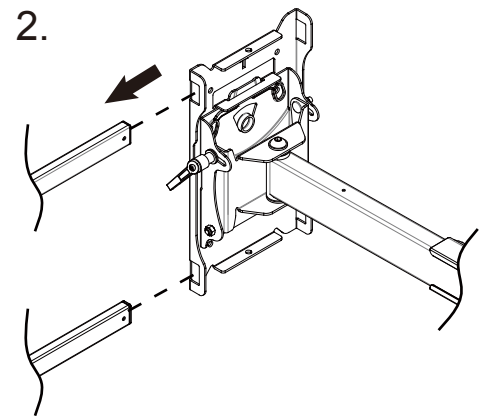
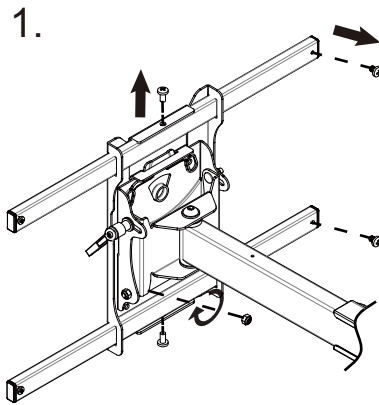
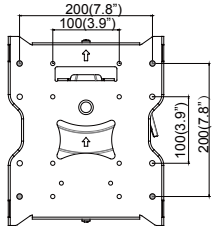


# Mount Wall Plate Assembly (Concrete Wall)

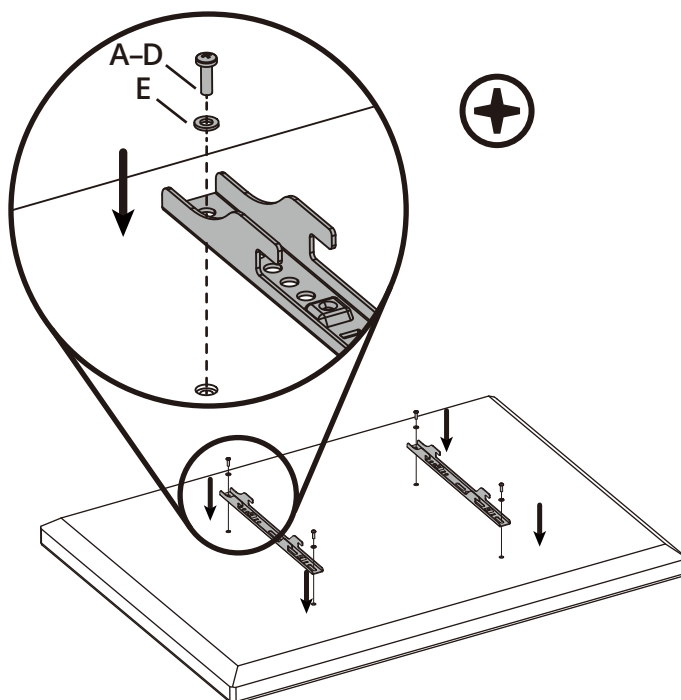


# Attach TV Brackets

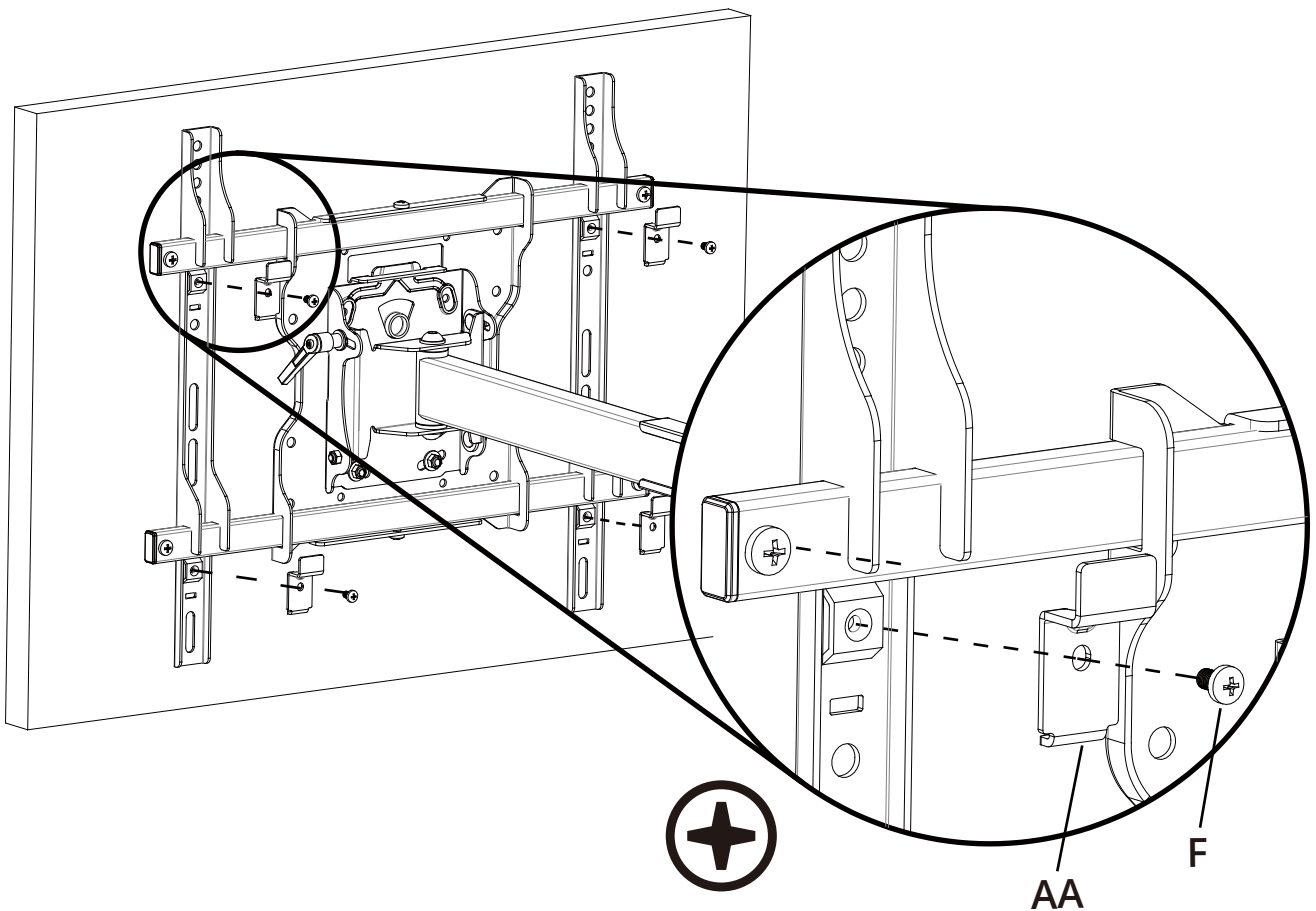
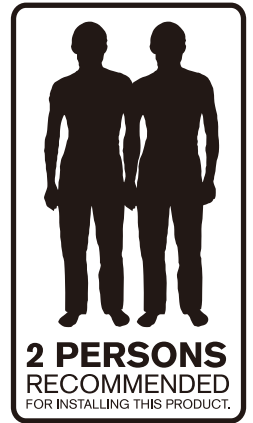
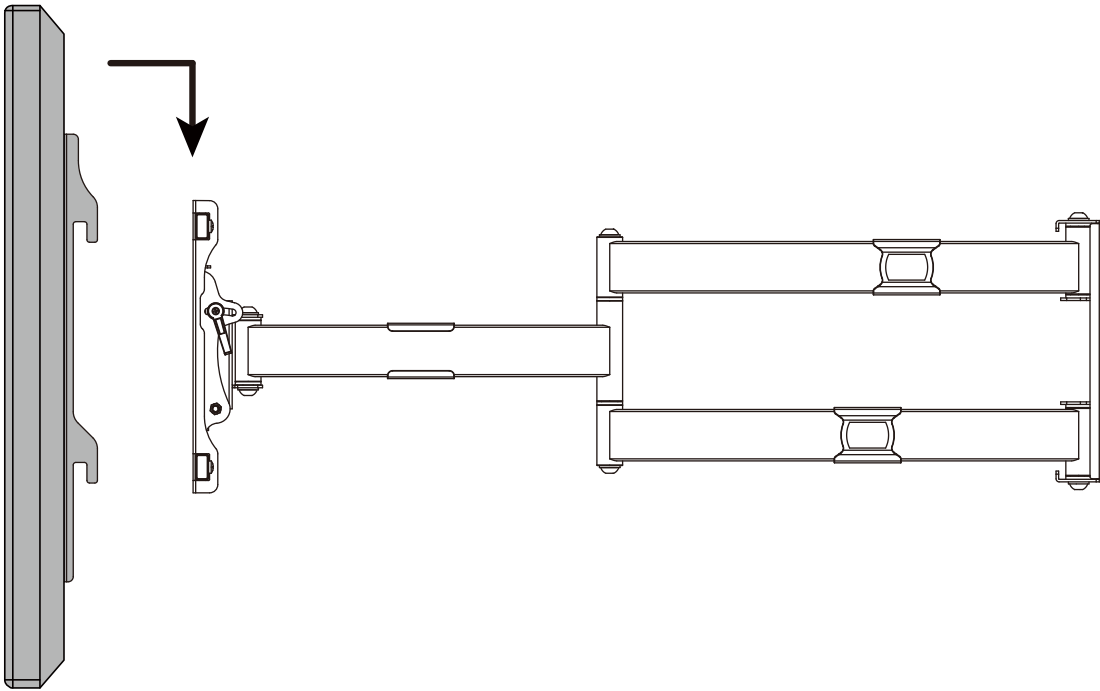
## a: VESA:100X100~200X200



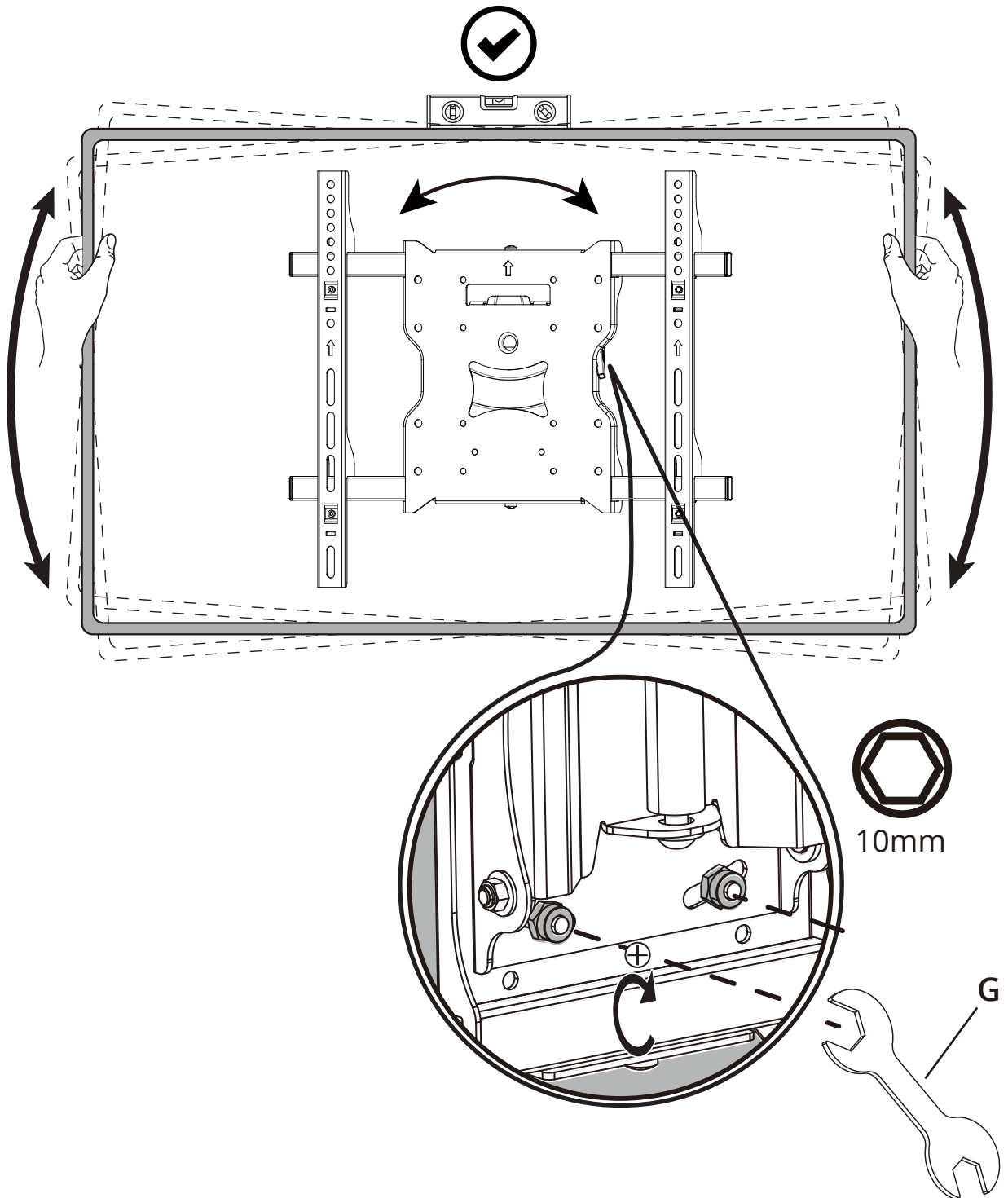
## b: VESA: 300X200~400X400



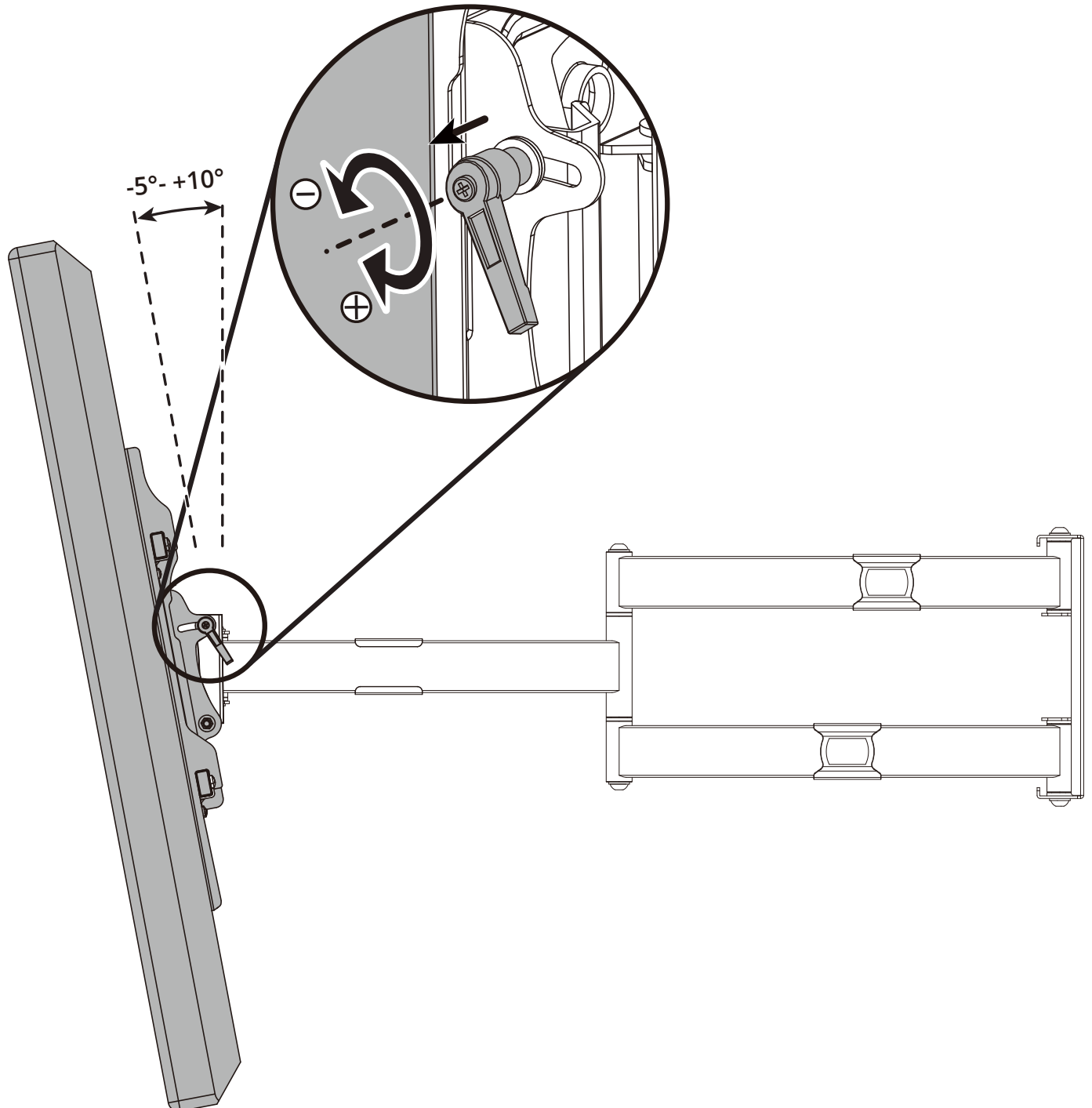
# Hang and Secure TV



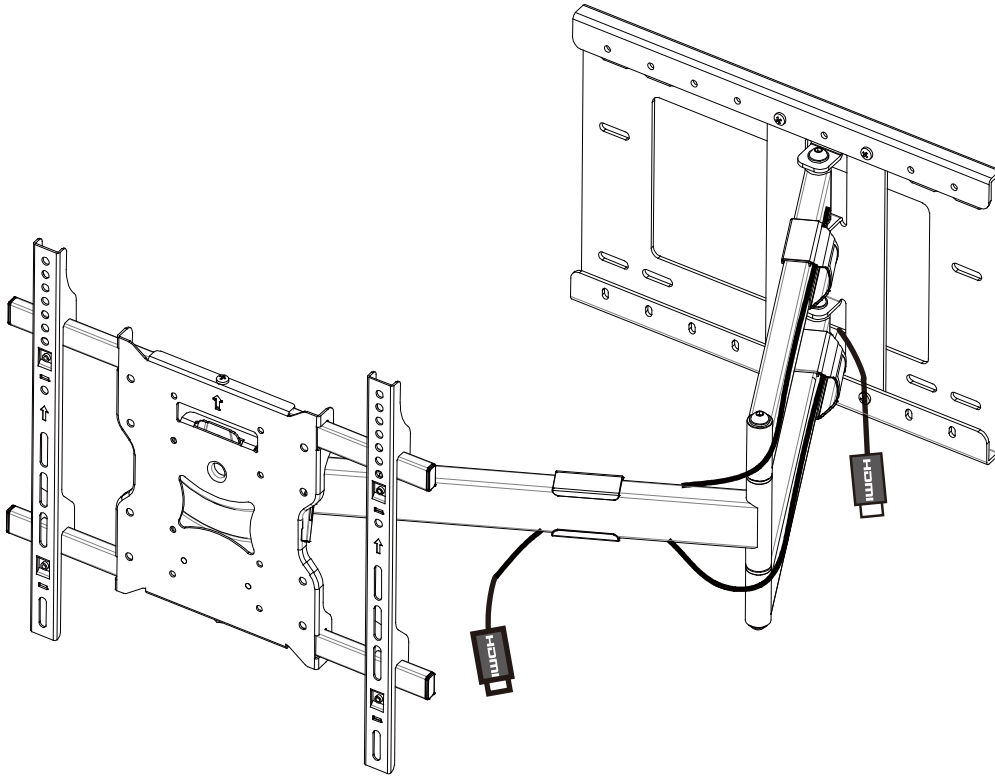
# Leveling adjustment -5° - +5°



# Tilt adjustment $-5^{\circ}$ - $+10^{\circ}$



# Wire cable management



# Technical drawings

