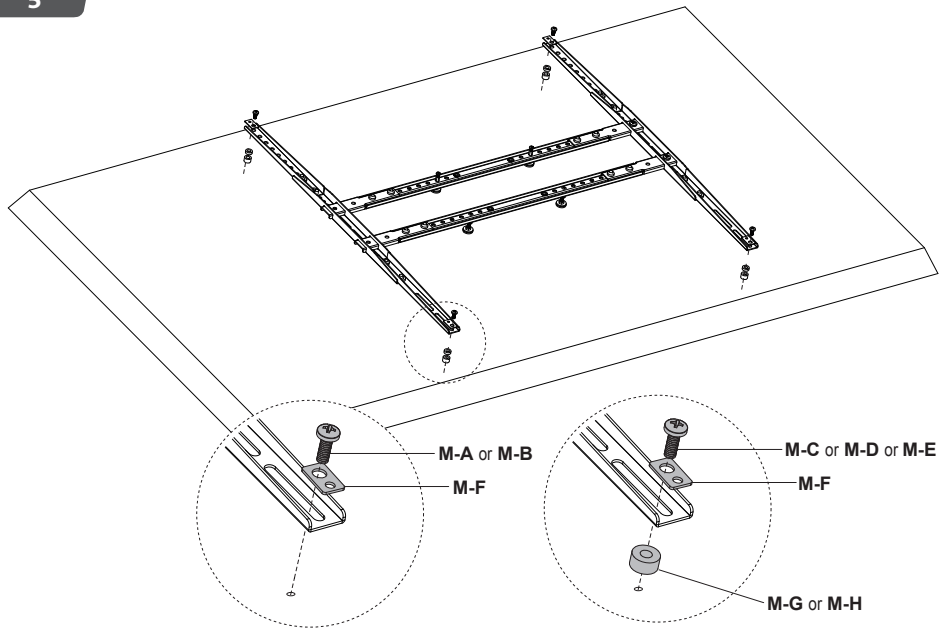
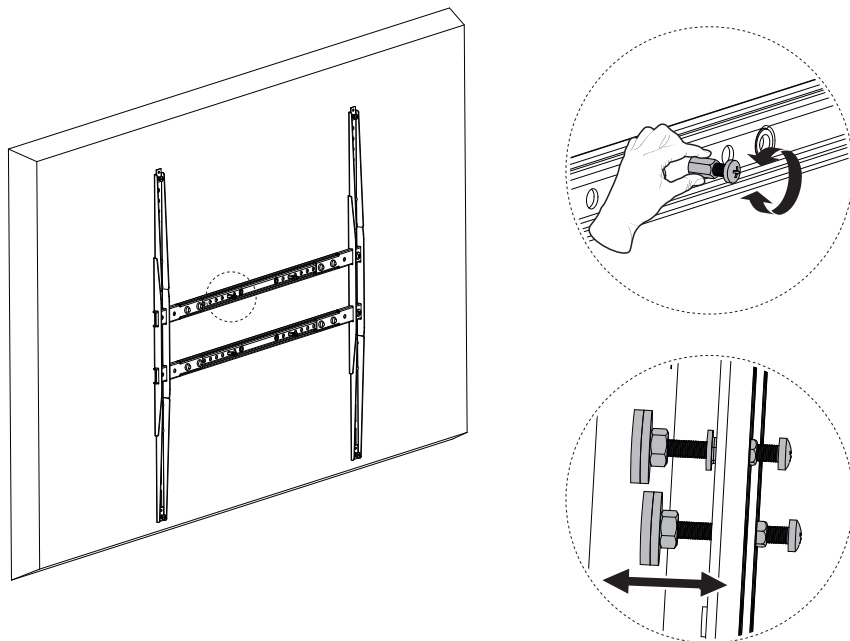


5



6



# XTRARM

INSTALLATION MANUAL

## Extensionset VESA 800

XTR-LA-VESA800

