

75x75	100x100
100x200	400x200
200x100	300x400
200x200	400x300
200x300	400x400
300x200	600x400
300x300	

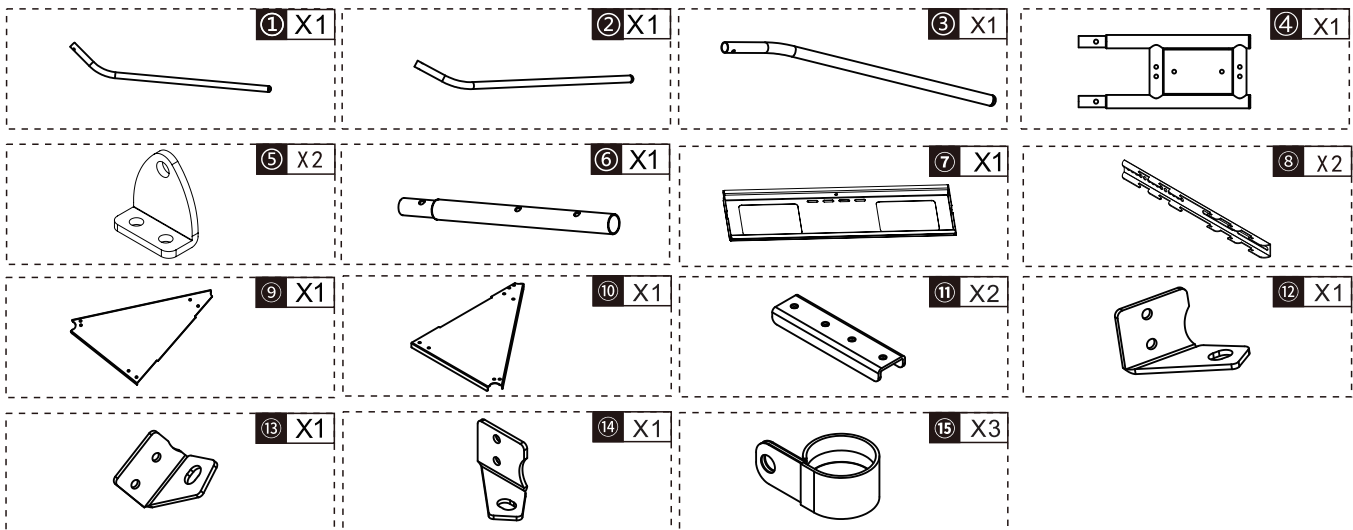


CAUTION: DO NOT EXCEED
RATED LISTED WEIGHT. SERIOUS
INJURY OR PROPERTY DAMAGE
MAY OCCUR!

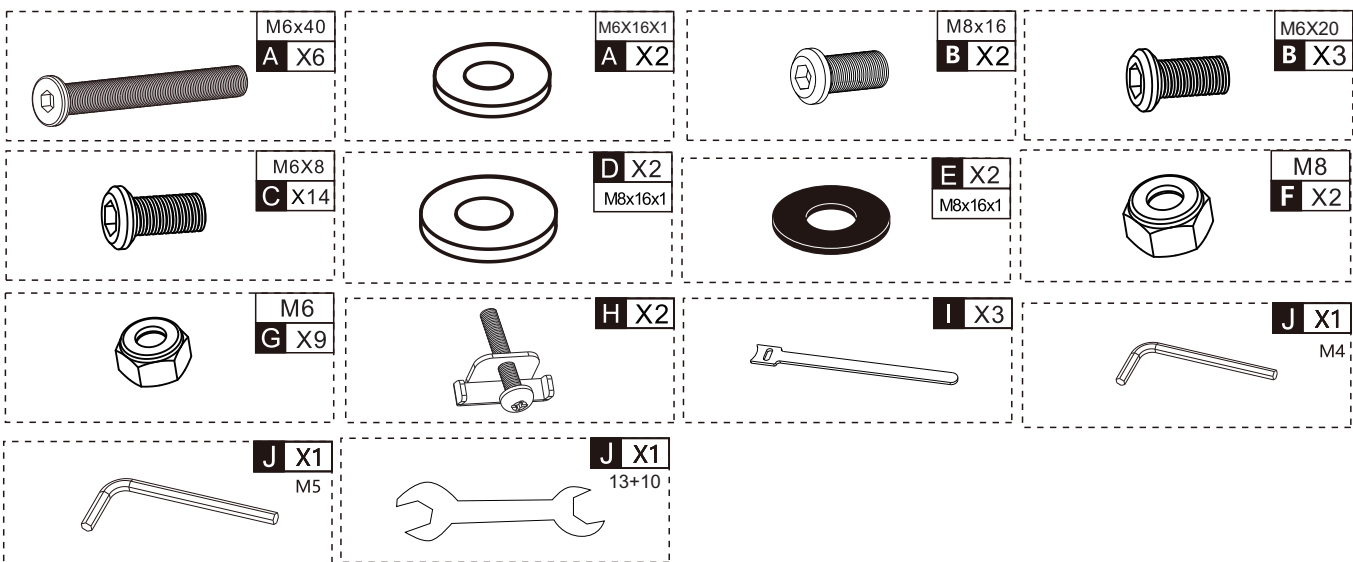
XTR-FS4030
XTR-FS4040



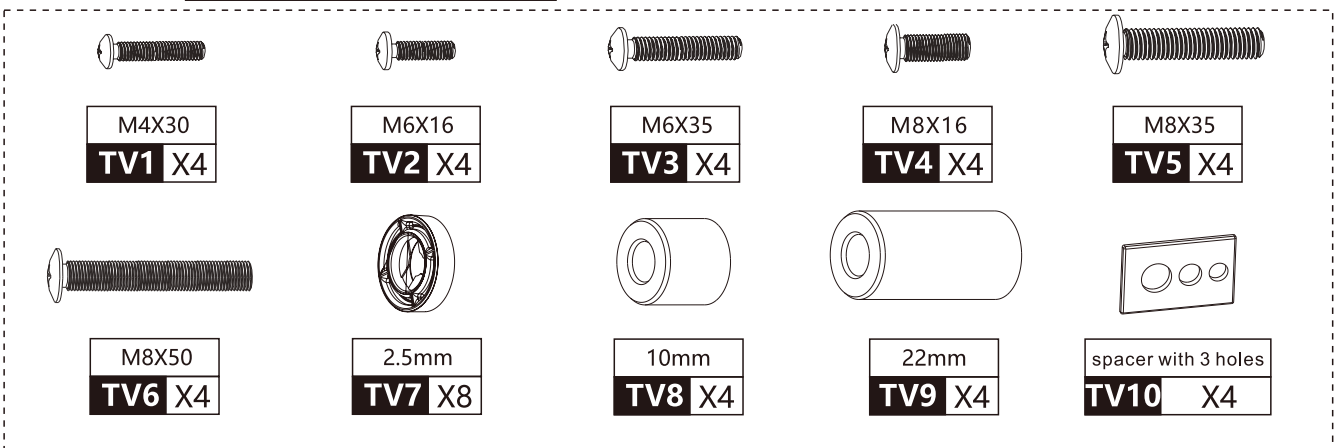
PART A



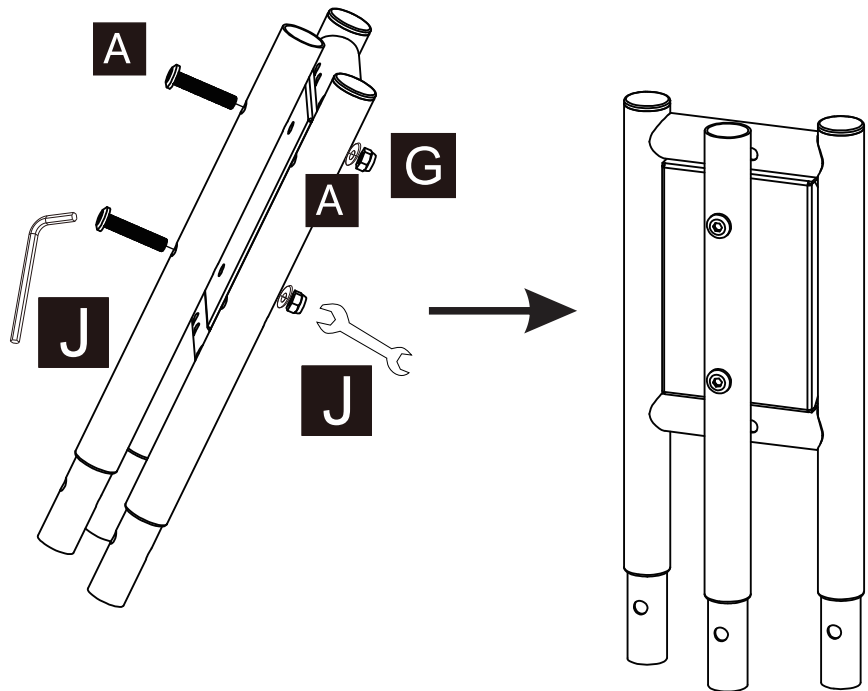
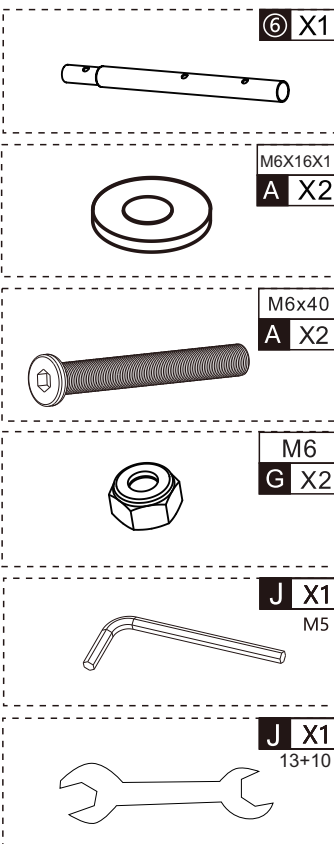
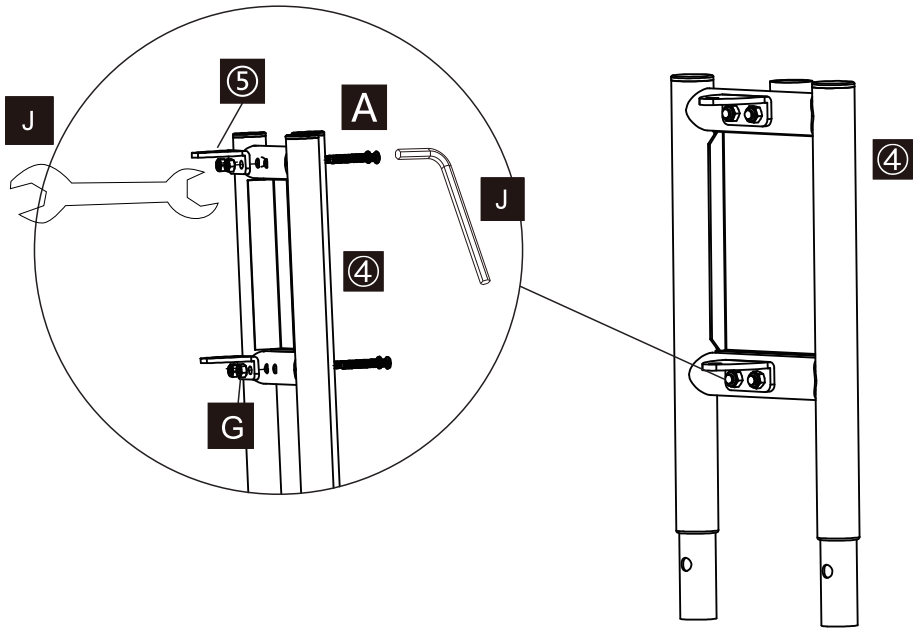
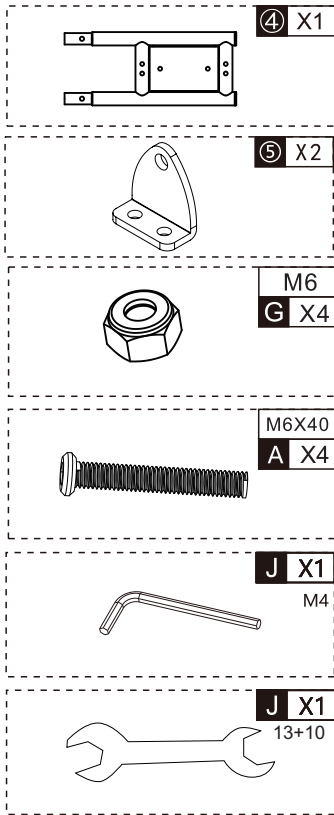
PART B



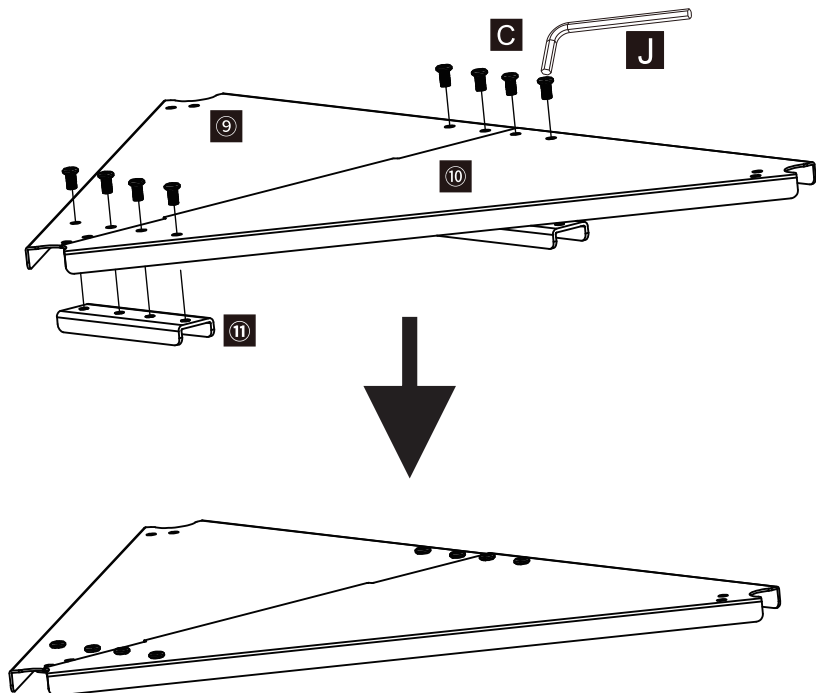
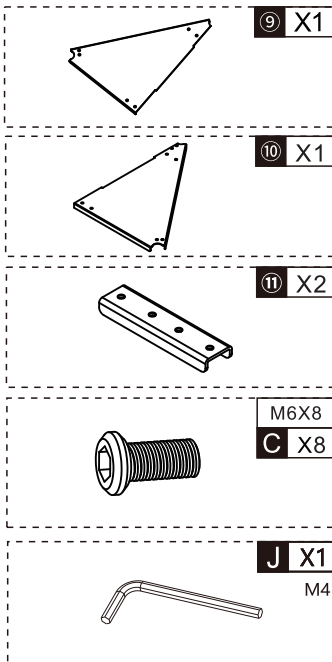
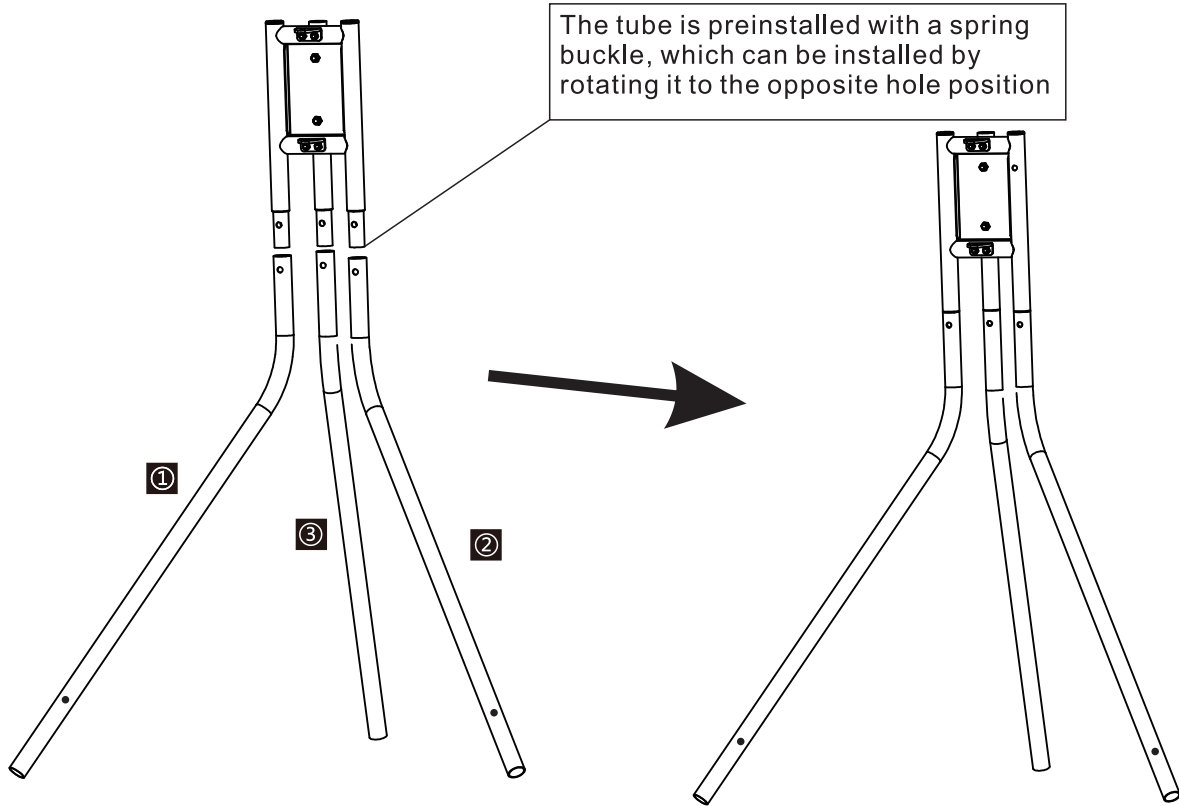
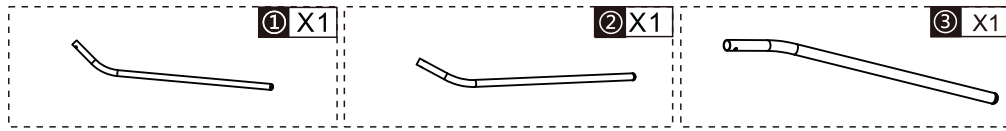
PART C FOR TV INSTALLATION



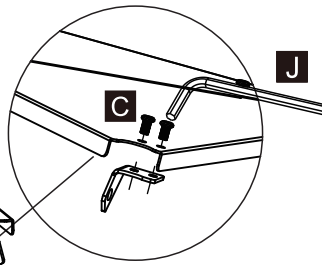
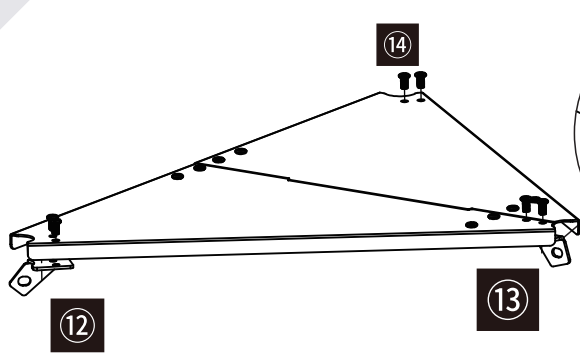
3



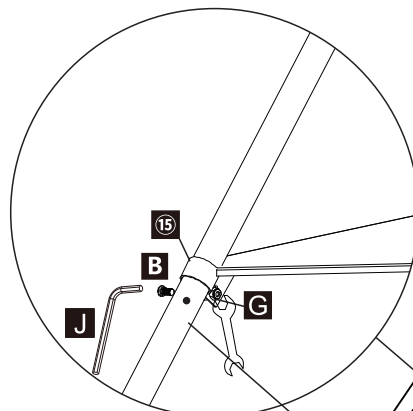
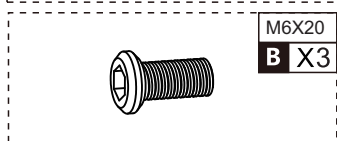
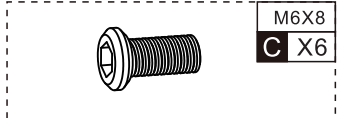
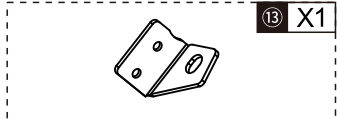
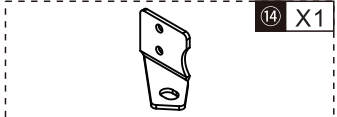
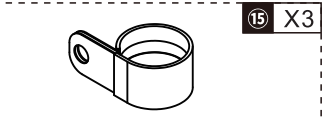
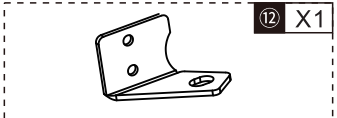
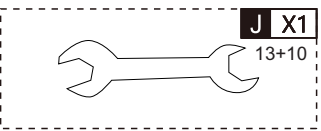
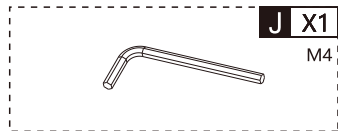
4



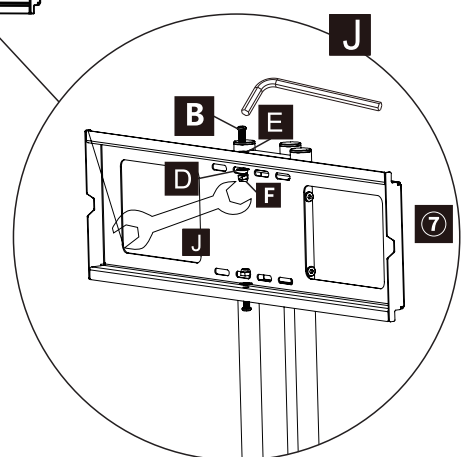
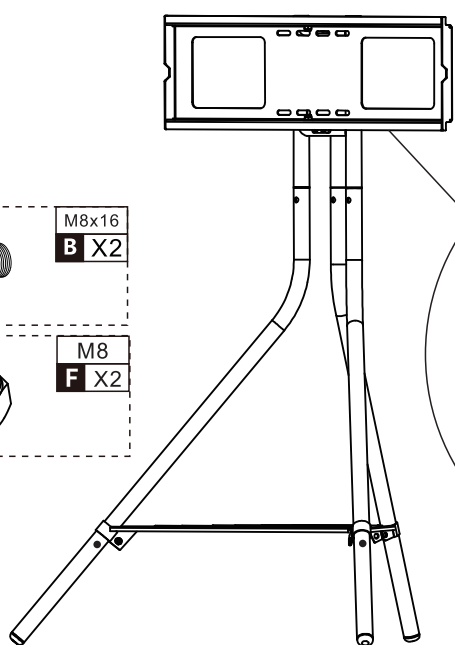
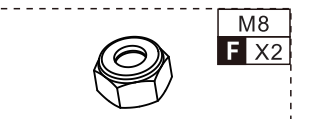
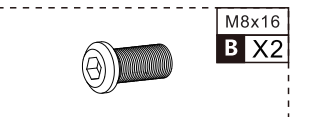
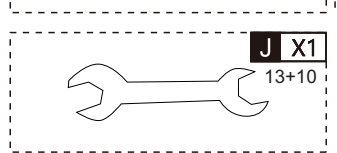
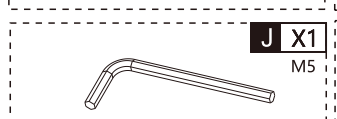
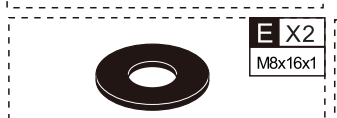
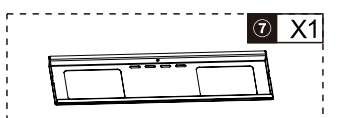
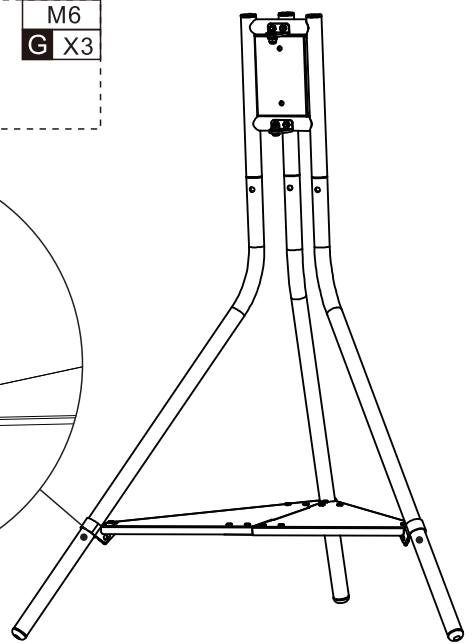
5




 Plastic Washer
 Steel Washer

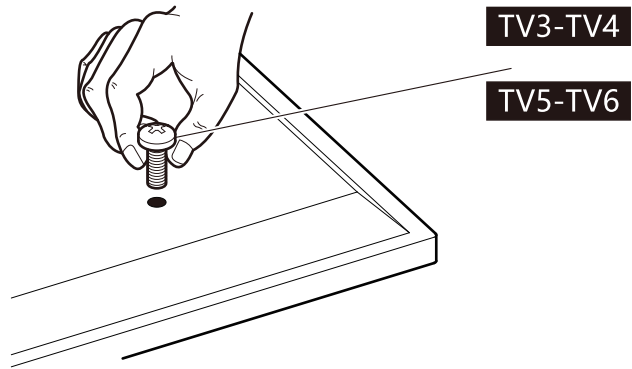
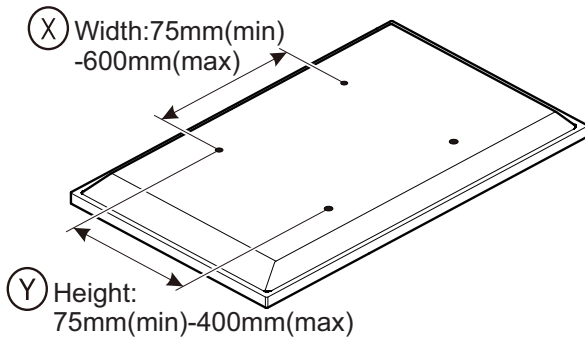


Note: Install the shelf in the solder joint position



6

Measure the TV fixing holes Width and Height



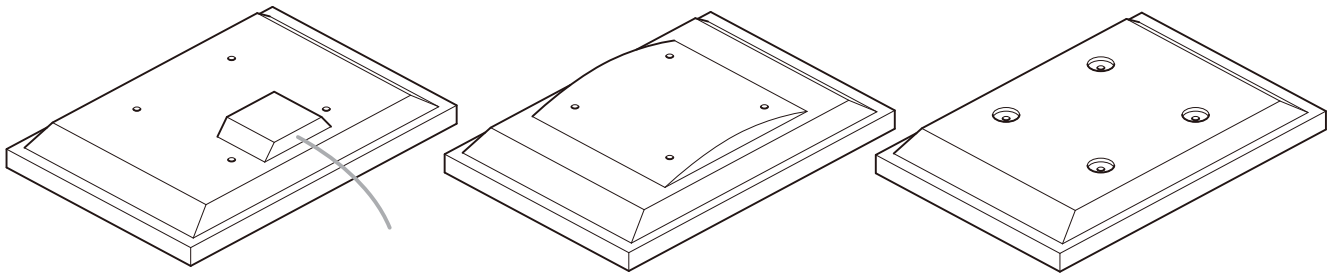
If width (X) is greater than 600mm or height (Y) greater than 400mm STOP installation now and contact the customer help line

You are provided with 4 diameters of TV fixing screws, **M4**, **M6** and **M8**. Determine the screw diameter that fits.

Spacers

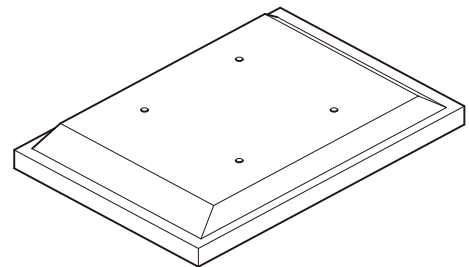
SP

For TVs with irregular/obstructed back



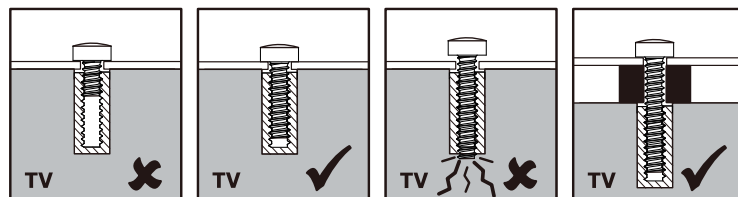
No Spacers

For TVs with flat/unobstructed back



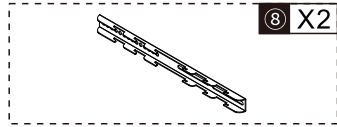
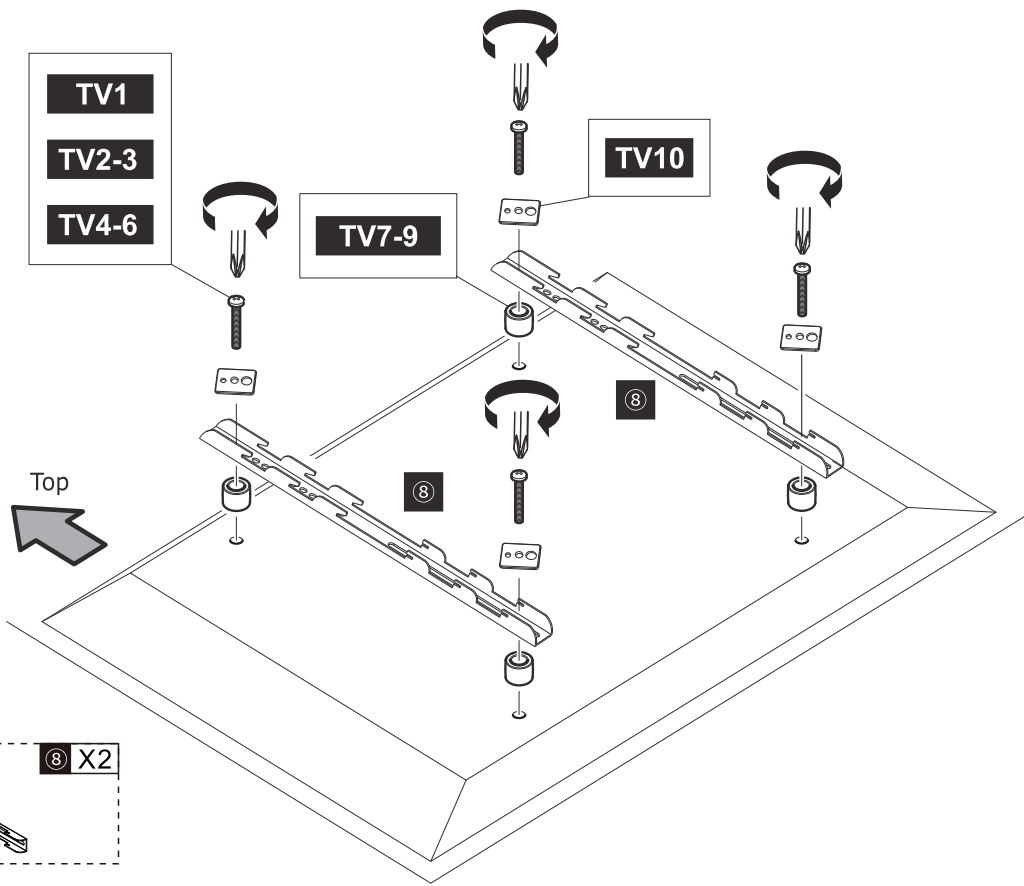
WARNING

Please keep for future reference.



7

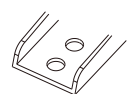
NOT INCLUDED



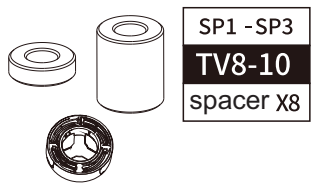
+



+



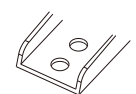
+



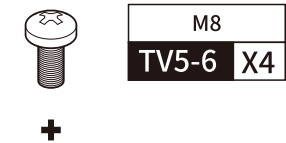
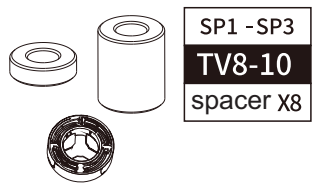
+



+



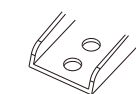
+



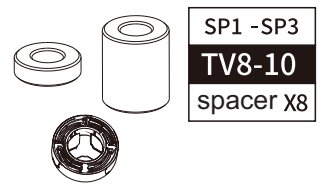
+



+



+



Attach the bracket to the back of your TV using suitable screw, reducer and spacer combinations.

8

NOT INCLUDED

