

Package 1



M6x16 (10)
A1



(4)
B1



4mm (1)
C1

Package 2



(A2)Φ6×18 (4)



(B2)Φ8×20 (4)



(C2)M4×12 (4)



(D2)M5×12 (4)



(E2)M6×12 (4)



(F2)M8×12 (4)



(G2)M8×14 (4)



(H2)M8×20 (4)

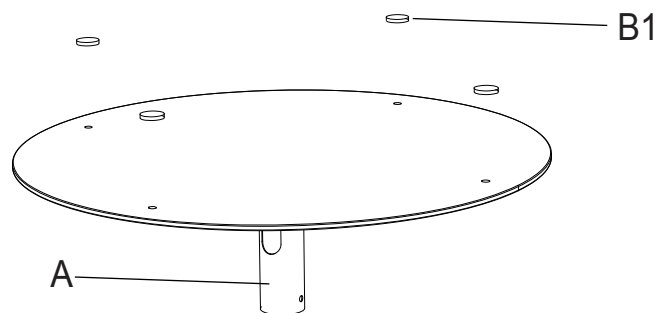


(I2)5mm (1)

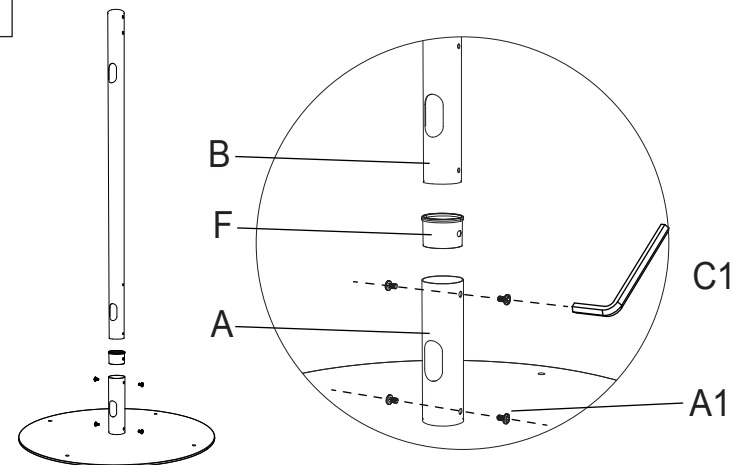


(J2)6mm (1)

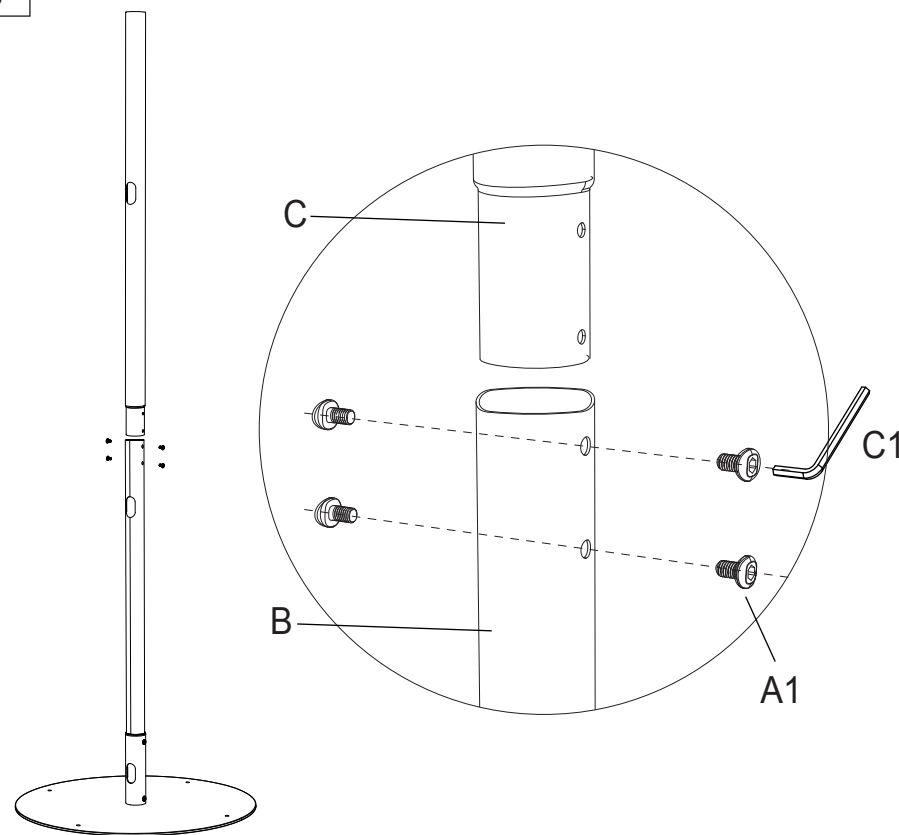
STEP-1



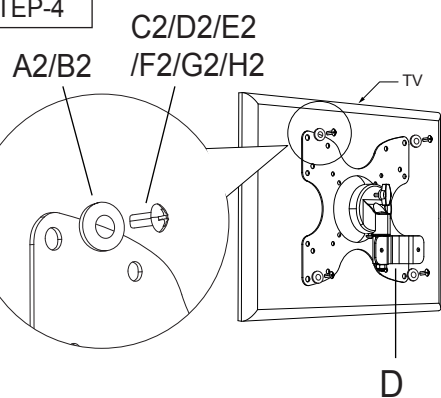
STEP-2



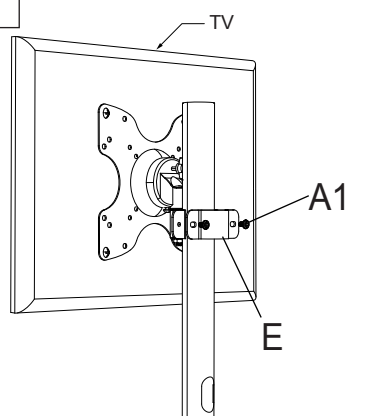
STEP-3



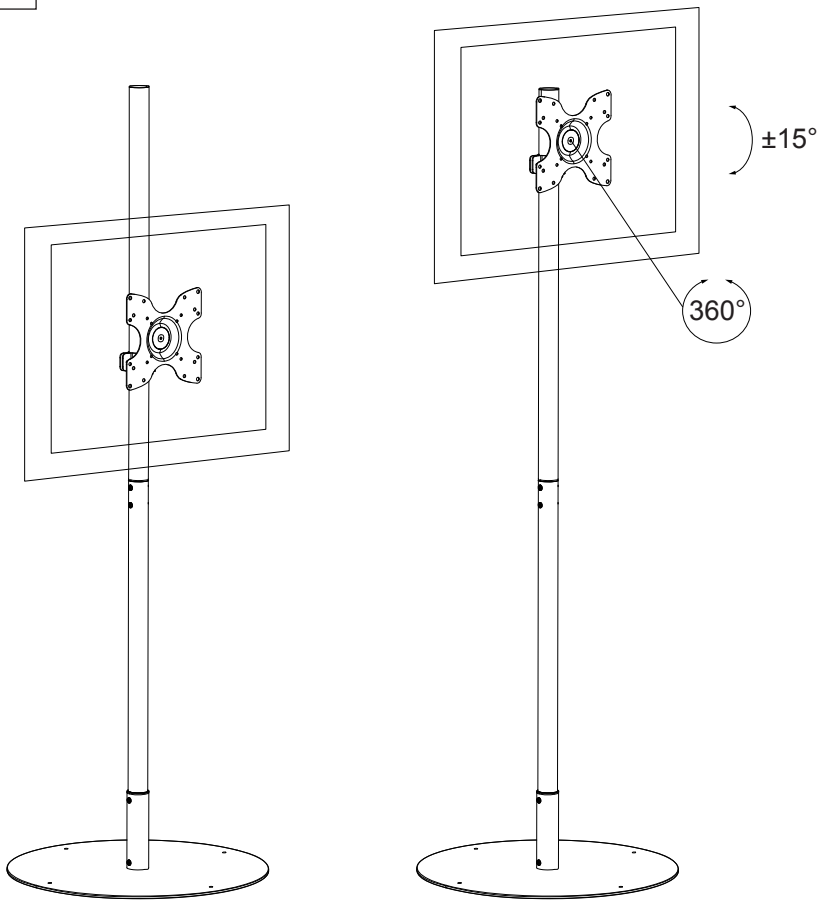
STEP-4



STEP-5



STEP-6



DQ FLOOR STAND



DQ FLOOR STAND



30kgs/66lbs



75X75
100X100
200X200